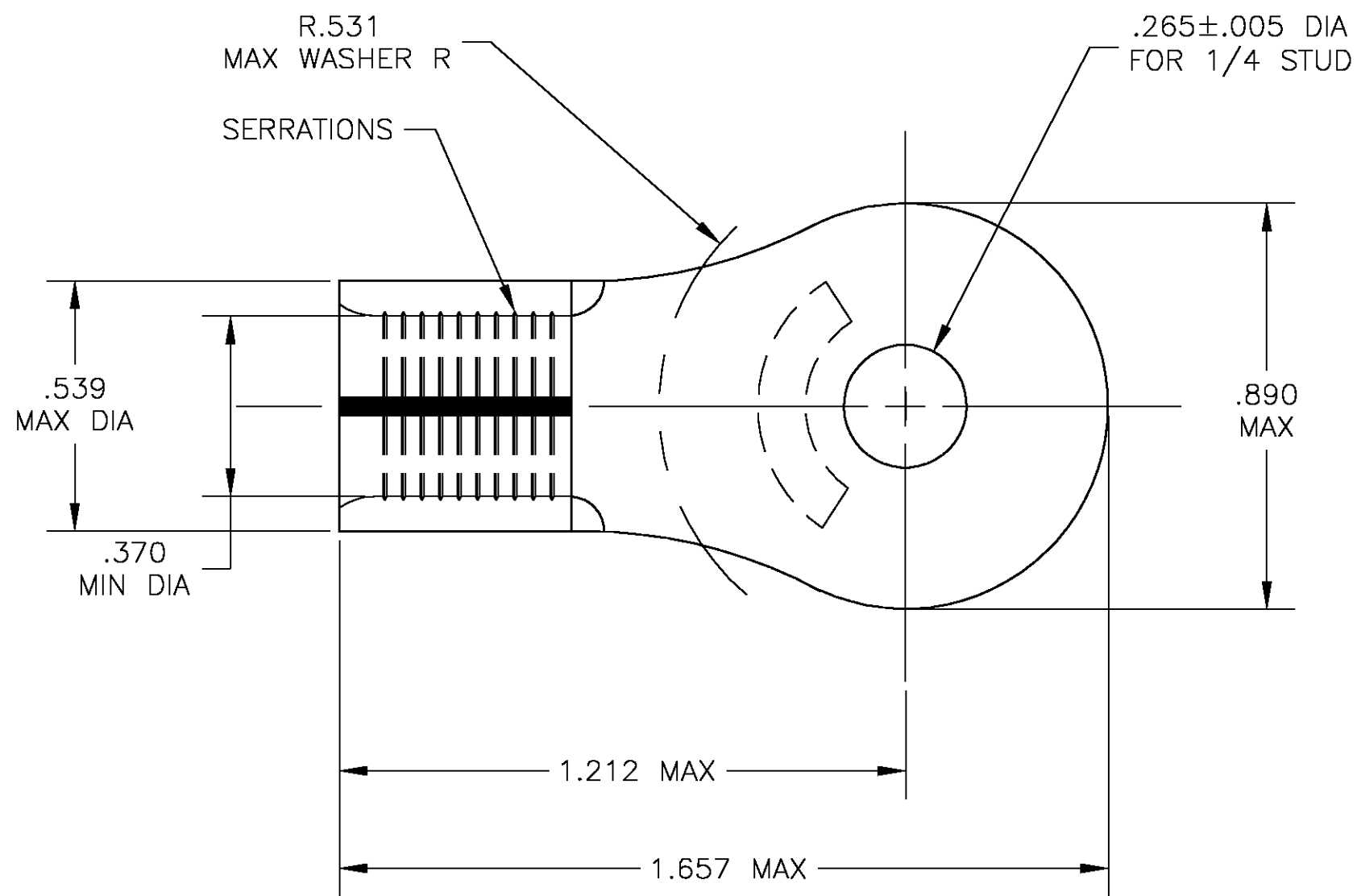


THIS DRAWING IS UNPUBLISHED. RELEASED FOR PUBLICATION
 © COPYRIGHT BY TYCO ELECTRONICS CORPORATION. ALL RIGHTS RESERVED.

LOC	DIST	REVISIONS			
P	LTR	DESCRIPTION	DATE	DWN	APVD
G	14	F	REDRAWN PER 0G3A-0383-04	25MAY04	JR MS

- 1 TONGUE MATERIAL THK IS .070±.003
- △2 COPPER PER ASTM B152
- △3 TIN PLATE PER ASTM B545, ANNEALED



QTY	DESCRIPTION	PART NO
1	WIRE TERMINAL	320138-0

THIS DRAWING IS A CONTROLLED DOCUMENT.		DWN jr_ruth 25MAY04	Tyco Electronics Corporation Harrisburg, PA 17105	
DIMENSIONS: INCHES		CHK MJ SPICER 25MAY04		
		APVD MJ SPICER 25MAY04	NAME	
TOLERANCES UNLESS OTHERWISE SPECIFIED:		PRODUCT SPEC	WIRE TERMINAL	
0 PLC ± -	1 PLC ± -	APPLICATION SPEC	SOLISTRAND - RING TONGUE	
2 PLC ± -	3 PLC ± .008	WEIGHT	WIRE SIZE: #2	
4 PLC ± -	ANGLES ± 5'	CUSTOMER DRAWING	SIZE A3	CAGE CODE 00779
MATERIAL - △2	FINISH - △3	SCALE 3:1	DRAWING NO C-320138	RESTRICTED TO
			SHEET 1 OF 1	REV F